



# TRENTON PIPE NIPPLE COMPANY, LLC



## Stainless Steel Pipe Fittings and Nipples

1700 Industrial Park Road Federalsburg, MD 21632  
Phone: 800-257-9559 Fax: 866-706-5260

## *Stainless Steel Pipe Nipples and Fittings*

### **Manufacturers & Master Distributors**

*Brass Pipe*

*Brass Pipe Nipples*

*Brass Pipe Fittings & Flanges*

*Chrome Plated Brass Pipe, Nipples, Fittings*

*Stainless Steel Pipe Fittings*

*Stainless Steel Pipe Nipples*

*Pressure Gauge Syphons*

*Custom Pipe Fabrication*

### **Executives**

*President*

Stephen J. Holloway — [sholloway@trentonpipe.com](mailto:sholloway@trentonpipe.com)

*Executive Vice President*

David Frost — [dfrost@trentonpipe.com](mailto:dfrost@trentonpipe.com)

*Plant Manager*

Larry Yeatman — [larry@trentonpipe.com](mailto:larry@trentonpipe.com)

*Vice President, Administration*

Stephen J. Holloway, Jr. — [shollowayjr@trentonpipe.com](mailto:shollowayjr@trentonpipe.com)

*National Sales Manager*

TJ Malloy — [tjmalloy@trentonpipe.com](mailto:tjmalloy@trentonpipe.com)

### **Inside Sales**

Kathy Garofano — [kathyg@trentonpipe.com](mailto:kathyg@trentonpipe.com)

### **Accounts Receivables & Payables**

Song Chang — [schang@trentonpipe.com](mailto:schang@trentonpipe.com)

### **Web Site**

[www.TrentonPipe.com](http://www.TrentonPipe.com)

### **Customer Service**

Phone: 800-257-9559

Fax: 866-706-5260

### **Manufacturing Facility**

1700 Industrial Park Road  
Federalsburg, MD 21632

Phone: 410-754-5067

Fax: 410-754-8131

Stainless Steel Nipples	4
Stainless Steel Fittings	5 – 22

*Standard Pattern*

<i>Elbows 45°</i>	6
<i>Elbows 90°</i>	6
<i>Hex Bushings</i>	7 – 8
<i>Round Caps</i>	8
<i>Full Couplings</i>	9
<i>Crosses</i>	9
<i>Half Couplings</i>	10
<i>Hex Plugs</i>	10
<i>Lock Nuts</i>	10
<i>Reducing Couplings</i>	11
<i>Elbows 90° Street</i>	12
<i>Square Head Plugs</i>	12
<i>Tees</i>	13
<i>Unions</i>	13

*MSS-SP114 Heavy Pattern*

<i>Elbows 45°</i>	15
<i>Elbows 90°</i>	15
<i>Hex Bushings</i>	16 – 17
<i>Round Caps</i>	17
<i>Full Couplings</i>	18
<i>Crosses</i>	18
<i>Half Couplings</i>	19
<i>Hex Plugs</i>	19
<i>Lock Nuts</i>	19
<i>Reducing Couplings</i>	20
<i>Elbows 90° Street</i>	21
<i>Square Head Plugs</i>	21
<i>Tees</i>	22
<i>Unions</i>	22

Custom Fabrication	23
Standard Terms and Conditions of Sale	24

Trenton Pipe Nipple Company, LLC does NOT provide engineering or application advice or information. The following information is provided as a general guideline or overview and is NOT intended to be a comprehensive statement of all the applicable technical information or data. There are numerous conditions, limiting factors and requirements set out in ASTM and other technical standards and publications which have not been discussed in these guidelines. Accordingly, the advice of a qualified engineer or other professional should be followed when choosing or applying a product. While the information provided is believed to be from reliable sources, Trenton Pipe Nipple Company, LLC is not responsible for errors and omissions in the information / data provided — users are strongly advised to consult qualified professionals.

## STANDARDS AND SPECIFICATIONS

Trenton Pipe manufactures a full line of stainless steel nipples in our Federalsburg, Maryland facility and we also carry a line of imported stainless steel nipples.

Since 1911 Trenton Pipe Nipple Company has been making quality brass nipples and is recognized as one of the most respected brass nipple manufacturers and custom pipe fabricators in the United States. We continue our tradition of quality and service as we expand by adding our stainless steel line. All products that Trenton Pipe manufactures or outsources are held to the highest industry standards. From the moment an inquiry is received to the time the order is filled you can expect quick replies to inquiries by knowledgeable staff, followed up with prompt and accurate shipments. Our aim is to make doing business with us easy and we endeavor to earn our customers business with every shipment.

We produce and stock a full size range from 1/8" to 4" diameter and standard stock lengths from close to 12". Trenton Pipe also specializes in custom cut lengths and odd length nipples as required. All nipples are available in types 304L or 316L stainless steel and schedule 40 or schedule 80 wall thicknesses. All stainless steel nipples that are domestically produced or imported are made to the highest quality in compliance to the ASTM A733 standard. Stainless steel nipples are manufactured from either welded or seamless pipes in accordance to ASTM A312/ A312M.

Standard nipple threads are NPT National (American) Pipe Taper Threads in accordance to ASME B.1.20.1. In addition to the standard NPT threads, nipples are available in a variety of thread forms. See NPT Thread Data.



### STAINLESS STEEL NIPPLE — WEIGHT CHART

Approximate shipping weight in pounds per 100 pieces, Stainless Steel  
For Extra heavy stainless steel nipples, multiply the below weight by 1.3

Dimension	Length of Close	Close	1 1/2	2	2 1/2	3	3 1/2	4	4 1/2	5	5 1/2	6	7	8	9	10	11	12
1/8	3/4	1.2	2.6	3.6	4.8	5.8	6.8	7.8	8.6	10.6	11.2	12.0	14.6	16.4	18.9	20.6	22.4	24.6
1/4	7/8	2.5	4.4	6.0	7.6	9.2	10.2	13.0	14.0	15.4	18.0	20.2	22.4	26.8	29.8	35.2	38.4	42.0
3/8	1	3.4	6.0	7.8	10.0	12.2	15.0	17.6	19.6	22.2	23.0	26.4	32.4	35.0	39.2	47.6	50.6	51.8
1/2	1 1/8	5.6	8.0	11.6	14.8	18.2	21.6	25.2	28.6	31.6	35.8	38.6	47.4	52.0	59.0	66.2	73.4	79.8
3/4	1 3/8	9.6	11.2	15.8	19.8	24.2	28.8	32.0	38.0	42.6	46.6	52.4	64.5	72.5	81.5	91.0	99.0	109.0
1	1 1/2	14.8		22.0	25.2	35.6	39.6	47.0	52.6	62.4	66.0	77.4	88.5	100.5	115.0	128.0	150.00	154.5
1 1/4	1 5/8	22.5		32.0	40.0	48.5	60.0	61.5	71.5	80.5	94.0	97.0	117.0	139.0	171.0	201.0	221.1	230.0
1 1/2	1 3/4	29.5		32.0	46.5	56.0	68.0	79.5	91.0	99.5	109.5	127.0	137.0	165.0	197.0	207.0	233.0	243.0
2	2	40.0			61.5	71.0	93.0	107.0	122.5	137.0	155.0	166.5	194.6	220.0	260.0	290.0	319.0	346.0
2 1/2	2 1/2	73.0				95.0	135.0	145.0	179.5	204.0	216.0	237.5	285.0	315.0	354.6	405.0	445.5	510.0
3	2 5/8	119.0				148.5	167.5	206.0	237.5	267.0	295.0	317.0	396.6	450.0	505.0	595.0	600.0	680.0
3 1/2																		
4	2 7/8	194.4				200.0		298.8	362.5	367.5	452.5	443.8	505.0	595.0	700.0	755.0	830.5	925.0

**STANDARDS AND SPECIFICATIONS**

Trenton Pipe imports high quality standard pattern 150lb rated stainless steel threaded fittings. The vendor that we source from manufactures their stainless steel fittings and valves to the highest standards with the following quality assurance programs currently in place ISO9001 and CRN Registered.

All stainless steel fittings that Trenton Pipe outsources are monitored by our quality control personnel for strict compliance with applicable standards and specifications. Stainless steel fittings are investment castings and the full size range is available in stock from 1/8" to 4" in both grades of stainless steel – 304 and 316. Fittings are threaded NPT in compliance to ASME B1.20.1 and castings to ASTM A351.

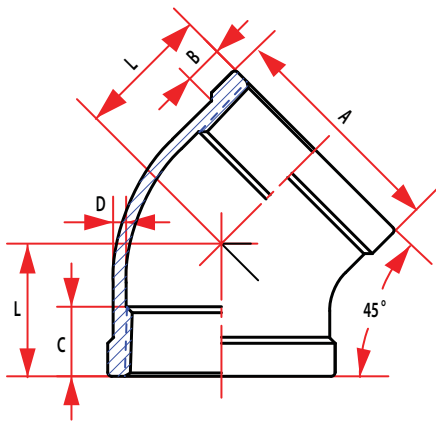
Buyers beware all standard pattern 150lb rated stainless steel threaded fittings are not alike.

The **TW** brand standard pattern stainless steel fittings were developed exclusively for Trenton Pipe Nipple Co., LLC. These fitting molds are engineered to provide our customers with a high quality stainless steel threaded fitting that is competitively priced, offers a maximum wall thickness and are dimensionally compact to insure their reliability and performance upon installation and use.

The **TW** brand is manufactured for the buyers who demand the highest quality 150lb rated stainless steel standard pattern fittings.

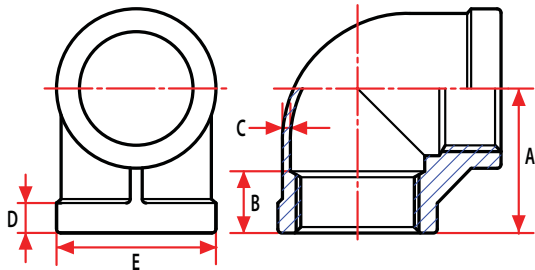


### ELBOWS - 45°



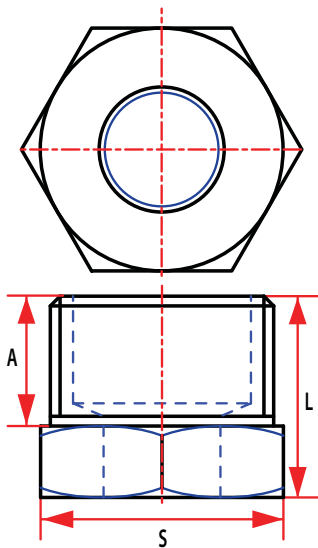
Item ID 304	Item ID 316	Dim	Pkg Qty	Approx Weight	L	A	B	C	D
SS304-61001	SS316-61001	1/8"	25	0.0772	0.66	0.72	0.20	0.27	0.110
SS304-61002	SS316-61002	1/4"	25	0.0902	0.66	0.81	0.20	0.33	0.124
SS304-61003	SS316-61003	3/8"	25	0.1102	0.78	0.96	0.20	0.36	0.082
SS304-61004	SS316-61004	1/2"	25	0.1726	0.83	1.15	0.24	0.42	0.087
SS304-61006	SS316-61006	3/4"	25	0.2866	0.96	1.4	0.26	0.49	0.100
SS304-61010	SS316-61010	1"	10	0.4156	1.07	1.70	0.29	0.57	0.106
SS304-61012	SS316-61012	1 1/4"	10	0.6673	1.25	2.05	0.33	0.65	0.114
SS304-61014	SS316-61014	1 1/2"	5	0.8545	1.37	2.33	0.36	0.68	0.123
SS304-61020	SS316-61020	2"	5	1.3657	1.6	2.82	0.40	0.73	0.144
SS304-61024	SS316-61024	2 1/2"	1	1.7196	1.85	3.15	0.46	0.89	0.172
SS304-61030	SS316-61030	3"	1	2.5684	1.69	3.83	0.53	0.95	0.186
SS304-61040	SS316-61040	4"	1	4.3872	2.52	4.83	0.63	1.04	0.213

### ELBOWS - 90°



Item ID 304	Item ID 316	Dim	Pkg Qty	Approx Weight	A	B	C	D	E
SS304-60001	SS316-60001	1/8"	25	0.0741	0.74	0.27	0.110	0.20	0.72
SS304-60002	SS316-60002	1/4"	25	0.0871	0.74	0.33	0.124	0.20	0.81
SS304-60003	SS316-60003	3/8"	25	0.1213	0.85	0.36	0.081	0.20	0.96
SS304-60004	SS316-60004	1/2"	25	0.1808	1.02	0.42	0.085	0.24	1.15
SS304-60006	SS316-60006	3/4"	25	0.3086	1.20	0.49	0.104	0.26	1.4
SS304-60010	SS316-60010	1"	10	0.4619	1.38	0.57	0.106	0.29	1.70
SS304-60012	SS316-60012	1 1/4"	10	0.7275	1.61	0.65	0.116	0.33	2.05
SS304-60014	SS316-60014	1 1/2"	5	0.9259	1.77	0.68	0.126	0.36	2.33
SS304-60020	SS316-60020	2"	5	1.4815	2.08	0.73	0.138	0.40	2.82
SS304-60024	SS316-60024	2 1/2"	1	1.9731	2.47	0.89	0.177	0.46	3.15
SS304-60030	SS316-60030	3"	1	3.1526	2.83	0.95	0.187	0.53	3.83
SS304-60040	SS316-60040	4"	1	5.5402	3.53	1.04	0.212	0.63	4.83

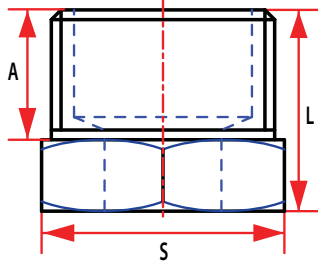
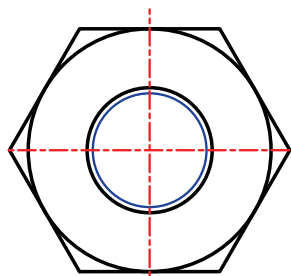
### HEX BUSHINGS



Item ID 304	Item ID 316	Dimension	Pkg Qty	Approx Weight	S	A	L
SS304-66002X01	SS316-66002X01	1/4 x 1/8	25	0.0165	0.60	0.42	0.54
SS304-66003X01	SS316-66003X01	3/8 x 1/8	25	0.0487	0.69	0.48	0.63
SS304-66003X02	SS316-66003X02	3/8 x 1/4	25	0.0483	0.69	0.48	0.63
SS304-66004X01	SS316-66004X01	1/2 x 1/8	25	0.0551	0.88	0.54	0.72
SS304-66004X02	SS316-66004X02	1/2 x 1/4	25	0.0556	0.88	0.54	0.72
SS304-66004X03	SS316-66004X03	1/2 x 3/8	25	0.0441	0.88	0.54	0.72
SS304-66006X01	SS316-66006X01	3/4 x 1/8	25	0.0992	1.08	0.59	0.80
SS304-66006X02	SS316-66006X02	3/4 x 1/4	25	0.0992	1.08	0.59	0.80
SS304-66006X03	SS316-66006X03	3/4 x 3/8	25	0.0882	1.08	0.59	0.80
SS304-66006X04	SS316-66006X04	3/4 Xx1/2	25	0.0716	1.08	0.59	0.80
SS304-66010X01	SS316-66010X01	1 x 1/8	25	0.1764	1.35	0.72	0.95
SS304-66010X02	SS316-66010X02	1 x 1/4	25	0.1874	1.35	0.72	0.95
SS304-66010X03	SS316-66010X03	1 x 3/8	25	0.1874	1.35	0.72	0.95
SS304-66010X04	SS316-66010X04	1 x 1/2	25	0.1775	1.35	0.72	0.95
SS304-66010X06	SS316-66010X06	1 x 3/4	25	0.1444	1.35	0.72	0.95
SS304-66012X01	SS316-66012X01	1-1/4x1/8	25	0.3351	1.69	0.77	1.04
SS304-66012X02	SS316-66012X02	1-1/4x1/4	25	0.3748	1.69	0.77	1.04
SS304-66012X03	SS316-66012X03	1-1/4x3/8	25	0.3748	1.69	0.77	1.04
SS304-66012X04	SS316-66012X04	1-1/4 x 1/2	25	0.3726	1.69	0.77	1.04
SS304-66012X06	SS316-66012X06	1-1/4 x 3/4	25	0.3197	1.69	0.77	1.04
SS304-66012X10	SS316-66012X10	1-1/4 x 1	25	0.2646	1.69	0.77	1.04
SS304-66014X02	SS316-66014X02	1-1/2x1/4	25	0.4409	1.9	0.77	1.07
SS304-66014X03	SS316-66014X03	1-1/2x3/8	25	0.4519	1.9	0.77	1.07
SS304-66014X04	SS316-66014X04	1-1/2 x 1/2	25	0.4519	1.9	0.77	1.07
SS304-66014X06	SS316-66014X06	1-1/2 x 3/4	25	0.4299	1.9	0.77	1.07
SS304-66014X10	SS316-66014X10	1-1/2 x 1	25	0.4189	1.9	0.77	1.07
SS304-66014X12	SS316-66014X12	1-1/2 x 1-1/4	25	0.2315	1.9	0.77	1.07
SS304-66020X02	SS316-66020X02	2x1/4	10	0.8267	2.39	0.84	1.16
SS304-66020X03	SS316-66020X03	2x3/8	10	0.7937	2.39	0.84	1.16
SS304-66020X04	SS316-66020X04	2 x 1/2	10	0.8488	2.39	0.84	1.16
SS304-66020X06	SS316-66020X06	2 x 3/4	10	0.8157	2.39	0.84	1.16
SS304-66020X10	SS316-66020X10	2 x 1	10	0.7892	2.39	0.84	1.16

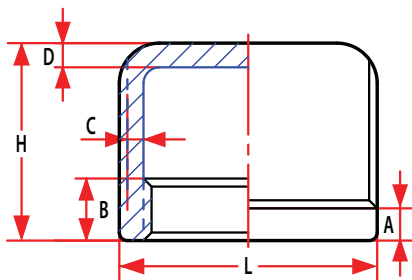
Hex Bushings continued →

### HEX BUSHINGS (continued)



Item ID 304	Item ID 316	Dimension	Pkg Qty	Approx Weight	S	A	L
SS304-66020X12	SS316-66020X12	2 x 1-1/4	10	0.6570	2.39	0.84	1.16
SS304-66020X14	SS316-66020X14	2 X 1-1/2	10	0.5291	2.39	0.84	1.16
SS304-66024X04	SS316-66024X04	2-1/2x1/2	5	1.4771	2.89	1.01	1.37
SS304-66024X06	SS316-66024X06	2-1/2x3/4	5	1.4374	2.89	1.01	1.37
SS304-66024X10	SS316-66024X10	2-1/2 x 1	5	1.4550	2.89	1.01	1.37
SS304-66024X12	SS316-66024X12	2-1/2 x 1-1/4	5	1.2588	2.89	1.01	1.37
SS304-66024X14	SS316-66024X14	2-1/2 x 1-1/2	5	1.1243	2.89	1.01	1.37
SS304-66024X20	SS316-66024X20	2-1/2 x 2	5	0.8047	2.89	1.01	1.37
SS304-66030X10	SS316-66030X10	3 x 1	5	2.2377	3.55	1.07	1.46
SS304-66030X12	SS316-66030X12	3 X 1-1/4	5	2.1495	3.55	1.07	1.46
SS304-66030X14	SS316-66030X14	3 X 1-1/2	5	2.1495	3.55	1.07	1.46
SS304-66030X20	SS316-66030X20	3 X 2	5	1.6975	3.55	1.07	1.46
SS304-66030X24	SS316-66030X24	3 x2-1/2	1	1.4403	3.55	1.07	1.46
SS304-66040X12	SS316-66040X12	4x1-1/4	1	4.0344	4.51	1.19	1.76
SS304-66040X14	SS316-66040X14	4x1-1/2	1	3.9352	4.51	1.19	1.76
SS304-66040X20	SS316-66040X20	4 x 2	1	3.6045	4.51	1.19	1.76
SS304-66040X24	SS316-66040X24	4 x 2-1/2	1	3.8140	4.51	1.19	1.76
SS304-66040X30	SS316-66040X30	4 x 3	1	2.9189	4.51	1.19	1.76

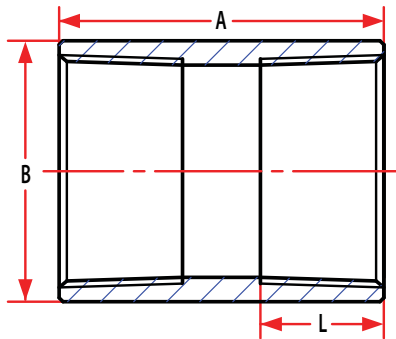
### ROUND CAPS



Item ID 304	Item ID 316	Dim	Pkg Qty	Approx Weight	A	B	C	D	H	L
SS304-63701	SS316-63701	1/8"	25	0.0366	0.27	0.27	0.108	0.081	0.65	0.72
SS304-63702	SS316-63702	1/4"	25	0.0430	0.33	0.33	0.116	0.081	0.65	0.8
SS304-63703	SS316-63703	3/8"	25	0.0772	0.36	0.36	0.122	0.090	0.77	0.97
SS304-63704	SS316-63704	1/2"	25	0.1102	0.42	0.42	0.133	0.108	0.89	1.14
SS304-63706	SS316-63706	3/4"	25	0.1874	0.49	0.49	0.173	0.117	1.01	1.4
SS304-63710	SS316-63710	1"	10	0.2866	0.57	0.57	0.185	0.135	1.25	1.69
SS304-63712	SS316-63712	1 1/4"	10	0.5071	0.65	0.65	0.197	0.153	1.54	2.07
SS304-63714	SS316-63714	1 1/2"	10	0.6063	0.68	0.68	0.219	0.171	1.54	2.33
SS304-63720	SS316-63720	2"	10	0.8929	0.73	0.73	0.226	0.198	1.67	2.83
SS304-63724	SS316-63724	2 1/2"	1	1.0472	0.89	0.89	0.203	0.225	1.91	3.19
SS304-63730	SS316-63730	3"	1	1.8078	0.95	0.95	0.228	0.261	2.14	3.88
SS304-63740	SS316-63740	4"	1	3.2408	1.04	1.04	0.259	0.324	2.38	4.91

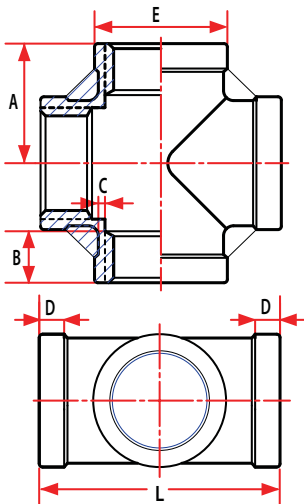


### FULL COUPLINGS



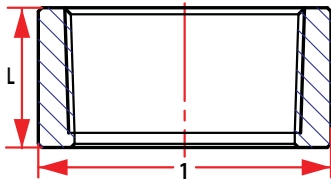
Item ID 304	Item ID 316	Dim	Pkg Qty	Approx Weight	A	B	L
SS304-64001	SS316-64001	1/8"	25	0.0476	0.95	0.59	0.25
SS304-64002	SS316-64002	1/4"	25	0.0772	1.08	0.72	0.32
SS304-64003	SS316-64003	3/8"	25	0.0882	1.11	0.86	0.37
SS304-64004	SS316-64004	1/2"	25	0.1389	1.38	1.02	0.42
SS304-64006	SS316-64006	3/4"	25	0.2584	1.60	1.29	0.50
SS304-64010	SS316-64010	1"	25	0.4167	1.78	1.59	0.58
SS304-64012	SS316-64012	1 1/4"	10	0.5489	1.99	1.91	0.66
SS304-64014	SS316-64014	1 1/2"	10	0.8300	2.15	2.22	0.69
SS304-64020	SS316-64020	2"	5	1.2610	2.40	2.73	0.74
SS304-64024	SS316-64024	2 1/2"	1	1.4771	2.74	3.17	0.89
SS304-64030	SS316-64030	3"	1	3.3278	3.02	4.00	0.94
SS304-64040	SS316-64040	4"	1	3.2849	3.52	4.83	1.05

### CROSSES



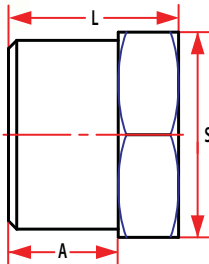
Item ID 304	Item ID 316	Dim	Pkg Qty	Approx Weight	A	B	C	D	E	L
SS304-63601	SS316-63601	1/8"	25	0.1367	0.74	0.27	0.110	0.20	0.72	1.48
SS304-63602	SS316-63602	1/4"	25	0.1519	0.74	0.33	0.124	0.20	0.81	1.48
SS304-63603	SS316-63603	3/8"	25	0.1984	0.85	0.36	0.073	0.20	0.96	1.7
SS304-63604	SS316-63604	1/2"	25	0.3197	1.02	0.42	0.081	0.24	1.15	2.04
SS304-63606	SS316-63606	3/4"	10	0.4960	1.20	0.49	0.098	0.26	1.4	2.4
SS304-63610	SS316-63610	1"	10	0.7716	1.38	0.57	0.109	0.29	1.70	2.76
SS304-63612	SS316-63612	1 1/4"	5	1.1695	1.61	0.65	0.119	0.33	2.05	3.22
SS304-63614	SS316-63614	1 1/2"	5	1.4202	1.77	0.68	0.123	0.36	2.33	3.54
SS304-63620	SS316-63620	2"	1	2.2244	2.08	0.73	0.139	0.40	2.82	4.16
SS304-63624	SS316-63624	2 1/2"	1	2.8660	2.47	0.89	0.173	0.46	3.15	4.94
SS304-63630	SS316-63630	3"	1	4.2328	2.83	0.95	0.189	0.53	3.83	5.66
SS304-63640	SS316-63640	4"	1	7.4626	3.53	1.04	0.236	0.63	4.83	7.06

### HALF COUPLINGS



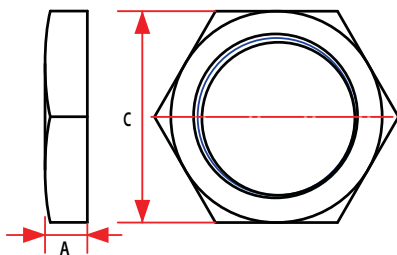
Item ID 304	Item ID 316	Dim	Pkg Qty	Approx Weight	1	L
SS304-64201	SS316-64201	1/8"	25	0.0240	0.59	0.48
SS304-64202	SS316-64202	1/4"	25	0.0276	0.72	0.48
SS304-64203	SS316-64203	3/8"	25	0.0386	0.86	0.54
SS304-64204	SS316-64204	1/2"	25	0.0661	1.02	0.67
SS304-64206	SS316-64206	3/4"	25	0.1102	1.29	0.72
SS304-64210	SS316-64210	1"	25	0.1653	1.59	0.78
SS304-64212	SS316-64212	1 1/4"	10	0.2425	1.91	0.95
SS304-64214	SS316-64214	1 1/2"	10	0.3649	2.22	1.00
SS304-64220	SS316-64220	2"	5	0.6173	2.73	1.19
SS304-64224	SS316-64224	2 1/2"	1	0.7055	3.17	1.38
SS304-64230	SS316-64230	3"	1	1.0582	3.82	1.52
SS304-64240	SS316-64240	4"	1	1.5873	4.83	1.75

### HEX PLUGS



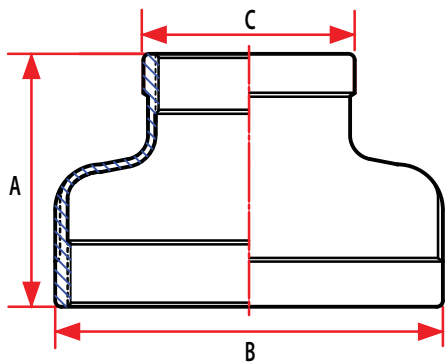
Item ID 304	Item ID 316	Dim	Pkg Qty	Approx Weight	A	L	S
SS304-67601H	SS316-67601H	1/8"	25	0.0198	0.36	0.49	0.48
SS304-67602H	SS316-67602H	1/4"	25	0.0331	0.42	0.56	0.59
SS304-67603H	SS316-67603H	3/8"	25	0.0551	0.46	0.61	0.69
SS304-67004H	SS316-67004H	1/2"	25	0.0661	0.54	0.72	0.83
SS304-67006H	SS316-67006H	3/4"	25	0.1213	0.6	0.81	1.15
SS304-67010H	SS316-67010H	1"	25	0.2094	0.72	0.96	1.36
SS304-67012H	SS316-67012H	1 1/4"	25	0.3197	0.76	1.03	1.69
SS304-67014H	SS316-67014H	1 1/2"	10	0.4299	0.79	1.09	1.90
SS304-67020H	SS316-67020H	2"	10	0.6834	0.84	1.16	2.40
SS304-67024H	SS316-67024H	2 1/2"	5	1.1243	1.02	1.37	2.90
SS304-67030H	SS316-67030H	3"	5	1.8320	1.08	1.46	3.67
SS304-67040H	SS316-67040H	4"	1	3.1065	1.17	1.64	4.54

### LOCKNUTS



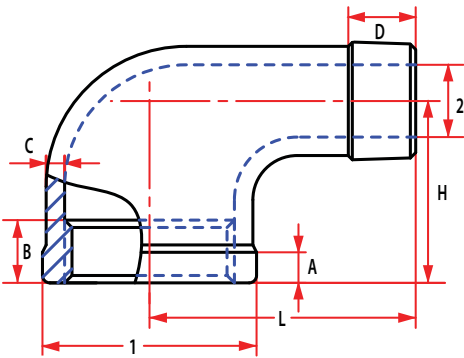
Item ID 304	Item ID 316	Dim	Pkg Qty	Approx Weight	A	C
SS304-65901	SS316-65901	1/8"	25	0.0123	0.065	0.66
SS304-65902	SS316-65902	1/4"	25	0.0203	0.243	0.81
SS304-65903	SS316-65903	3/8"	25	0.0311	0.267	0.96
SS304-65904	SS316-65904	1/2"	25	0.0437	0.296	1.13
SS304-65906	SS316-65906	3/4"	25	0.0622	0.326	1.37
SS304-65910	SS316-65910	1"	25	0.1063	0.363	1.38
SS304-65912	SS316-65912	1 1/4"	25	0.1387	0.400	2.00
SS304-65914	SS316-65914	1 1/2"	25	0.1907	0.449	2.25
SS304-65920	SS316-65920	2"	10	0.2844	0.507	2.75
SS304-65924	SS316-65924	2 1/2"	5	0.7665	0.562	3.68
SS304-65930	SS316-65930	3"	5	1.1667	0.643	4.41
SS304-65940	SS316-65940	4"	1	2.1094	0.760	5.54

### REDUCING COUPLINGS



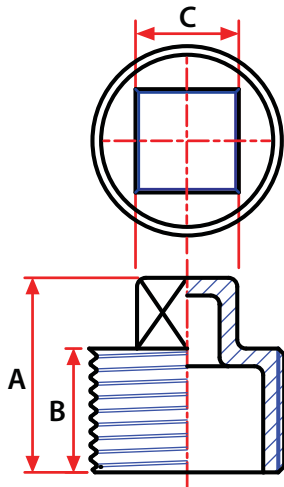
Item ID 304	Item ID 316	Dimension	Pkg Qty	Approx Weight	A	B	C
SS304-64102X01	SS316-64102X01	1/4 x 1/8	25	0.0633	0.95	0.80	0.72
SS304-64103X01	SS316-64103X01	3/8 x 1/8	25	0.0888	1.07	0.96	0.72
SS304-64103X02	SS316-64103X02	3/8 x 1/4	25	0.0551	1.07	0.96	0.80
SS304-64104X01	SS316-64104X01	1/2 x 1/8	25	0.1082	1.32	1.14	0.72
SS304-64104X02	SS316-64104X02	1/2 x 1/4	25	0.1213	1.32	1.14	0.80
SS304-64104X03	SS316-64104X03	1/2 x 3/8	25	0.1323	1.32	1.14	0.96
SS304-64106X01	SS316-64106X01	3/4 x 1/8	25	0.1653	1.43	1.39	0.72
SS304-64106X02	SS316-64106X02	3/4 x 1/4	25	0.1764	1.43	1.39	0.80
SS304-64106X03	SS316-64106X03	3/4 x 3/8	25	0.1984	1.43	1.39	0.96
SS304-64106X04	SS316-64106X04	3/4 Xx1/2	25	0.1984	1.43	1.39	1.14
SS304-64110X01	SS316-64110X01	1 x 1/8	25	0.2601	1.54	1.69	0.72
SS304-64110X02	SS316-64110X02	1 x 1/4	25	0.2646	1.54	1.69	0.80
SS304-64110X03	SS316-64110X03	1 x 3/8	25	0.2646	1.54	1.69	0.96
SS304-64110X04	SS316-64110X04	1 x 1/2	25	0.2646	1.54	1.69	1.14
SS304-64110X06	SS316-64110X06	1 x 3/4	25	0.2866	1.54	1.69	1.39
SS304-64112X03	SS316-64112X03	1 1/4x3/8	10	0.4308	1.90	2.05	0.96
SS304-64112X04	SS316-64112X04	1-1/4 x 1/2	10	0.4409	1.90	2.05	1.14
SS304-64112X06	SS316-64112X06	1-1/4 x 3/4	10	0.4883	1.90	2.05	1.39
SS304-64112X10	SS316-64112X10	1-1/4 x 1	10	0.5181	1.90	2.05	1.69
SS304-64114X03	SS316-64114X03	1-1/2x3/8	10	0.5401	2.02	2.31	0.96
SS304-64114X04	SS316-64114X04	1-1/2 x 1/2	10	0.5653	2.02	2.31	1.14
SS304-64114X06	SS316-64114X06	1-1/2 x 3/4	10	0.5644	2.02	2.31	1.39
SS304-64114X10	SS316-64114X10	1-1/2 x 1	10	0.6415	2.02	2.31	1.69
SS304-64114X12	SS316-64114X12	1-1/2 x 1-1/4	10	0.6735	2.02	2.31	2.05
SS304-64120X04	SS316-64120X04	2 x 1/2	5	0.9259	2.38	2.82	1.14
SS304-64120X06	SS316-64120X06	2 x 3/4	5	0.8774	2.38	2.82	1.39
SS304-64120X10	SS316-64120X10	2 x 1	5	1.0141	2.38	2.82	1.69
SS304-64120X12	SS316-64120X12	2 x 1-1/4	5	0.9689	2.38	2.82	2.05
SS304-64120X14	SS316-64120X14	2 X 1-1/2	5	1.0472	2.38	2.82	2.31
SS304-64124X10	SS316-64124X10	2-1/2 x 1	1	1.3316	3.09	3.15	1.69
SS304-64124X12	SS316-64124X12	2-1/2 x 1-1/4	1	1.4220	3.09	3.15	2.05
SS304-64124X14	SS316-64124X14	2-1/2 x 1-1/2	1	1.3999	3.09	3.15	2.31
SS304-64124X20	SS316-64124X20	2-1/2 x 2	1	1.4771	3.09	3.15	2.82
SS304-64130X10	SS316-64130X10	3 x 1	1	1.9621	3.50	3.8	1.69
SS304-64130X12	SS316-64130X12	3 X 1-1/4	1	2.1495	3.50	3.8	2.05
SS304-64130X14	SS316-64130X14	3 X 1-1/2	1	2.1936	3.50	3.8	2.31
SS304-64130X20	SS316-64130X20	3 X 2	1	2.2266	3.50	3.8	2.82
SS304-64130X24	SS316-64130X24	3 x2-1/2	1	2.1385	3.50	3.8	3.15
SS304-64140X20	SS316-64140X20	4 x 2	1	3.5274	4.17	4.81	2.82
SS304-64140X24	SS316-64140X24	4 x 2-1/2	1	3.6817	4.17	4.81	3.15
SS304-64140X30	SS316-64140X30	4 x 3	1	3.6486	4.17	4.81	4.17

**ELBOWS - 90° STREET**



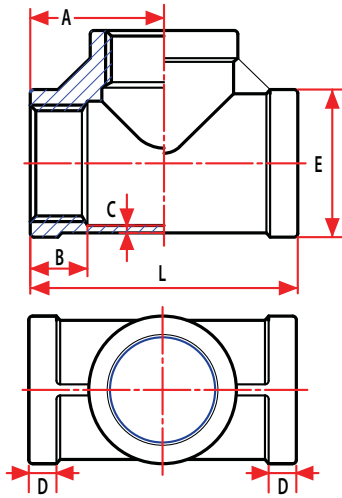
Item ID 304	Item ID 316	Dim	Pkg Qty	Approx Weight	A	B	C	D	H	L	1	2
SS304-60201	SS316-60201	1/8"	25	0.0551	0.20	0.27	0.110	0.30	0.76	0.97	0.72	0.19
SS304-60202	SS316-60202	1/4"	25	0.0794	0.20	0.33	0.114	0.46	0.78	1.08	0.81	0.25
SS304-60203	SS316-60203	3/8"	25	0.1213	0.20	0.36	0.081	0.48	0.84	1.34	0.96	0.34
SS304-60204	SS316-60204	1/2"	25	0.1874	0.24	0.42	0.081	0.63	1.00	1.51	1.15	0.49
SS304-60206	SS316-60206	3/4"	25	0.3197	0.26	0.49	0.098	0.65	1.20	1.75	1.4	0.62
SS304-60210	SS316-60210	1"	10	0.4630	0.29	0.57	0.106	0.78	1.37	1.95	1.70	0.87
SS304-60212	SS316-60212	1 1/4"	10	0.7835	0.33	0.65	0.120	0.80	1.60	2.32	2.05	1.13
SS304-60214	SS316-60214	1 1/2"	5	1.0251	0.36	0.68	0.121	0.83	1.76	2.55	2.33	1.32
SS304-60220	SS316-60220	2"	5	1.6938	0.40	0.73	0.141	0.88	2.07	3.02	2.82	1.74
SS304-60224	SS316-60224	2 1/2"	1	2.7337	0.46	0.89	0.175	1.30	2.49	3.61	3.15	2.13
SS304-60230	SS316-60230	3"	1	4.2328	0.53	0.95	0.200	1.40	2.82	4.19	3.83	2.68
SS304-60240	SS316-60240	4"	1	7.9807	0.63	1.04	0.216	1.49	3.52	5.34	4.83	3.61

**SQUARE HEAD PLUGS**



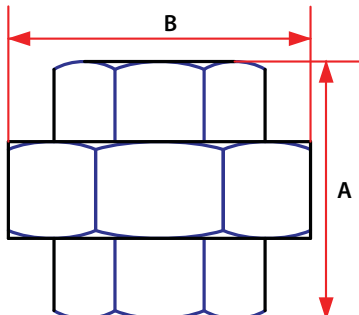
Item ID 304	Item ID 316	Dim	Pkg Qty	Approx Weight	A	B	C
SS304-67601	SS316-67601	1/8"	25	0.0165	0.58	0.36	0.27
SS304-67602	SS316-67602	1/4"	25	0.0331	0.69	0.42	0.36
SS304-67603	SS316-67603	3/8"	25	0.0551	0.76	0.46	0.42
SS304-67004	SS316-67004	1/2"	25	0.0661	0.90	0.54	0.54
SS304-67006	SS316-67006	3/4"	25	0.1102	1.02	0.60	0.60
SS304-67010	SS316-67010	1"	25	0.1984	1.19	0.72	0.78
SS304-67012	SS316-67012	1 1/4"	25	0.2926	1.30	0.77	0.90
SS304-67014	SS316-67014	1 1/2"	25	0.3748	1.38	0.79	1.07
SS304-67020	SS316-67020	2"	10	0.6113	1.49	0.84	1.26
SS304-67024	SS316-67024	2 1/2"	5	1.0516	1.72	1.02	1.43
SS304-67030	SS316-67030	3"	5	1.6182	1.84	1.08	1.62
SS304-67040	SS316-67040	4"	1	2.8616	2.11	1.16	2.14

**TEES**



Item ID 304	Item ID 316	Dim	Pkg Qty	Approx Weight	A	B	C	D	E	L
SS304-62001	SS316-62001	1/8"	25	0.1047	0.74	0.27	0.112	0.20	0.72	1.48
SS304-62002	SS316-62002	1/4"	25	0.1235	0.74	0.33	0.124	0.20	0.81	1.48
SS304-62003	SS316-62003	3/8"	25	0.1653	0.85	0.36	0.083	0.20	0.96	1.71
SS304-62004	SS316-62004	1/2"	25	0.2535	1.02	0.42	0.083	0.24	1.15	2.04
SS304-62006	SS316-62006	3/4"	25	0.4189	1.20	0.49	0.098	0.26	1.4	2.41
SS304-62010	SS316-62010	1"	10	0.6283	1.38	0.57	0.105	0.29	1.70	2.76
SS304-62012	SS316-62012	1 1/4"	5	0.9958	1.61	0.65	0.118	0.33	2.05	3.22
SS304-62014	SS316-62014	1 1/2"	5	1.2236	1.77	0.68	0.126	0.36	2.33	3.55
SS304-62020	SS316-62020	2"	3	1.9173	2.08	0.73	0.138	0.40	2.82	4.16
SS304-62024	SS316-62024	2 1/2"	1	2.4802	2.47	0.89	0.175	0.46	3.15	4.94
SS304-62030	SS316-62030	3"	1	3.7699	2.83	0.95	0.189	0.53	3.83	5.66
SS304-62040	SS316-62040	4"	1	6.7461	3.53	1.04	0.219	0.63	4.83	7.06

**UNIONS**



Item ID 304	Item ID 316	Dim	Pkg Qty	Approx Weight	A	B
SS304-69001	SS316-69001	1/8"	25	0.1257	1.20	0.94
SS304-69002	SS316-69002	1/4"	25	0.1874	1.37	1.19
SS304-69003	SS316-69003	3/8"	25	0.2954	1.53	1.43
SS304-69004	SS316-69004	1/2"	25	0.3395	1.66	1.52
SS304-69006	SS316-69006	3/4"	25	0.6019	1.87	1.89
SS304-69010	SS316-69010	1"	10	0.7738	1.99	2.17
SS304-69012	SS316-69012	1 1/4"	5	1.0207	2.15	2.52
SS304-69014	SS316-69014	1 1/2"	5	1.3470	2.30	2.84
SS304-69020	SS316-69020	2"	1	2.0194	2.62	3.44
SS304-69024	SS316-69024	2 1/2"	1	3.3289	3.06	4.12
SS304-69030	SS316-69030	3"	1	4.9163	3.33	4.73
SS304-69040	SS316-69040	4"	1	6.8761	3.66	5.99

**STANDARDS AND SPECIFICATIONS**

Trenton Pipe imports high quality heavy pattern 150lb rated stainless steel threaded fittings in full compliance to MSS-SP114. The vendor that we source from manufactures their stainless steel fittings and valves to the highest standards with the following quality assurance ISO9001 programs currently in place.

All stainless steel fittings that Trenton Pipe outsources are inspected by our quality control personnel for strict compliance to the MSS-SP114 standards and specifications.

Stainless steel fittings are investment castings and Trenton Pipe carries a full size range that is available in stock from 1/8" – 4" in both 304 and 316 grades of stainless steel. All fittings are threaded to NPT standard in compliance to ASME B1.20.1, castings

are made in accordance to ASTM A351 and all fittings are heat treated and tested in accordance to ASTM A262.

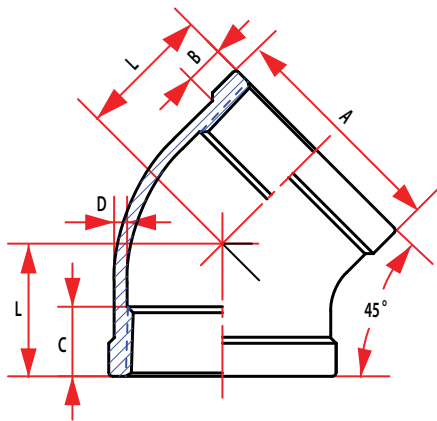
The molds for our MSS-SP-114 stainless steel fitting line were developed and engineered under our strict guidelines and these molds are the exclusive property of Trenton Pipe Nipple Company, LLC.

Our fittings are tested in house by our quality control personnel to be 100% sure that all of our MSS-SP-114 stainless steel fittings fully meet this specification in every aspect.

The **TW** brand is manufactured for the buyers who demand the highest quality 150lb rated stainless steel threaded fittings.

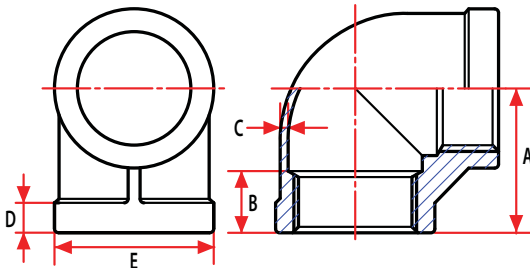


**ELBOWS - 45°**



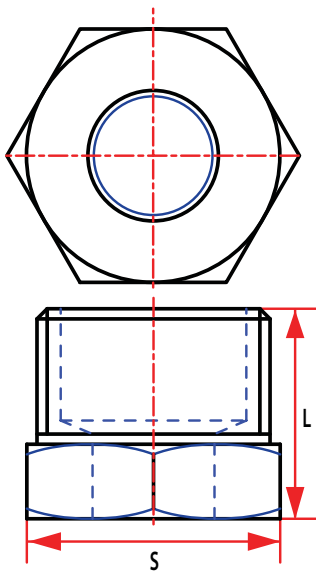
Item ID 304	Item ID 316	Dim	Pkg Qty	Approx Weight	L	A	B	C	D
SP114-SS304-61001	SP114-SS316-61001	1/8"	25	0.0871	0.69	0.75	0.21	0.43	0.12
SP114-SS304-61002	SP114-SS316-61002	1/4"	25	0.1091	0.69	0.85	0.21	0.38	0.14
SP114-SS304-61003	SP114-SS316-61003	3/8"	25	0.1433	0.81	1.02	0.22	0.38	0.10
SP114-SS304-61004	SP114-SS316-61004	1/2"	25	0.2173	0.86	1.21	0.26	0.47	0.10
SP114-SS304-61006	SP114-SS316-61006	3/4"	25	0.3417	0.99	1.47	0.29	0.55	0.12
SP114-SS304-61010	SP114-SS316-61010	1"	10	0.5456	1.12	1.78	0.34	0.65	0.13
SP114-SS304-61012	SP114-SS316-61012	1 1/4"	10	0.8488	1.32	2.17	0.39	0.73	0.13
SP114-SS304-61014	SP114-SS316-61014	1 1/2"	5	1.1354	1.44	2.45	0.41	0.73	0.14
SP114-SS304-61020	SP114-SS316-61020	2"	5	1.735	1.68	2.98	0.47	0.81	0.16
SP114-SS304-61024	SP114-SS316-61024	2 1/2"	1	2.4548	1.95	3.33	0.53	0.99	0.20
SP114-SS304-61030	SP114-SS316-61030	3"	1	3.7611	2.18	4.04	0.59	1.09	0.22
SP114-SS304-61040	SP114-SS316-61040	4"	1	6.3449	2.63	5.10	0.71	1.14	0.36

**ELBOWS - 90°**



Item ID 304	Item ID 316	Dim	Pkg Qty	Approx Weight	A	B	C	D	E
SP114-SS304-60001	SP114-SS316-60001	1/8"	25	0.0948	0.80	0.26	0.10	0.21	0.76
SP114-SS304-60002	SP114-SS316-60002	1/4"	25	0.1179	0.80	0.33	0.14	0.21	0.85
SP114-SS304-60003	SP114-SS316-60003	3/8"	25	0.1543	0.94	0.37	0.09	0.22	1.02
SP114-SS304-60004	SP114-SS316-60004	1/2"	25	0.2502	1.13	0.44	0.10	0.27	1.21
SP114-SS304-60006	SP114-SS316-60006	3/4"	25	0.3968	1.31	0.51	0.11	0.28	1.47
SP114-SS304-60010	SP114-SS316-60010	1"	10	0.6162	1.50	0.59	0.13	0.30	1.78
SP114-SS304-60012	SP114-SS316-60012	1 1/4"	10	0.9436	1.71	0.72	0.14	0.35	2.16
SP114-SS304-60014	SP114-SS316-60014	1 1/2"	5	1.3051	1.78	0.75	0.15	0.43	2.44
SP114-SS304-60020	SP114-SS316-60020	2"	5	1.9985	2.17	0.80	0.17	0.43	2.98
SP114-SS304-60024	SP114-SS316-60024	2 1/2"	1	3.0644	2.58	0.95	0.21	0.47	3.33
SP114-SS304-60030	SP114-SS316-60030	3"	1	4.6297	2.96	1.00	0.23	0.56	4.01
SP114-SS304-60040	SP114-SS316-60040	4"	1	7.8374	3.75	1.10	0.25	0.71	5.14

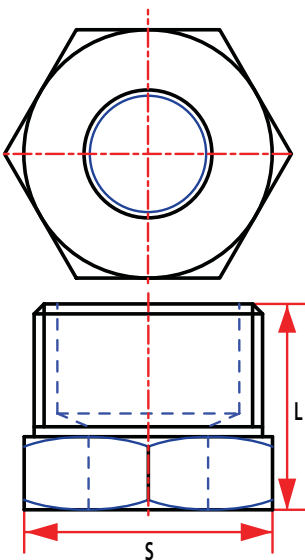
### HEX BUSHINGS



Item ID 304	Item ID 316	Dimension	Pkg Qty	Approx Weight	S	L
SP114-SS304-66002X01	SP114-SS316-66002X01	1/4 x 1/8	25	0.0176	0.62	0.59
SP114-SS304-66003X01	SP114-SS316-66003X01	3/8 x 1/8	25	0.0463	0.75	0.68
SP114-SS304-66003X02	SP114-SS316-66003X02	3/8 x 1/4	25	0.0324	0.75	0.68
SP114-SS304-66004X01	SP114-SS316-66004X01	1/2 x 1/8	25	0.0816	0.93	0.79
SP114-SS304-66004X02	SP114-SS316-66004X02	1/2 x 1/4	25	0.0772	0.93	0.79
SP114-SS304-66004X03	SP114-SS316-66004X03	1/2 x 3/8	25	0.0541	0.93	0.79
SP114-SS304-66006X01	SP114-SS316-66006X01	3/4 x 1/8	25	0.1323	1.09	0.89
SP114-SS304-66006X02	SP114-SS316-66006X02	3/4 x 1/4	25	0.1323	1.09	0.89
SP114-SS304-66006X03	SP114-SS316-66006X03	3/4 x 3/8	25	0.1202	1.09	0.89
SP114-SS304-66006X04	SP114-SS316-66006X04	3/4 Xx1/2	25	0.0860	1.09	0.89
SP114-SS304-66010X01	SP114-SS316-66010X01	1 x 1/8	25	0.2403	1.36	1.03
SP114-SS304-66010X02	SP114-SS316-66010X02	1 x 1/4	25	0.2500	1.36	1.03
SP114-SS304-66010X03	SP114-SS316-66010X03	1 x 3/8	25	0.2359	1.36	1.03
SP114-SS304-66010X04	SP114-SS316-66010X04	1 x 1/2	25	0.2183	1.36	1.03
SP114-SS304-66010X06	SP114-SS316-66010X06	1 x 3/4	25	0.1475	1.36	1.03
SP114-SS304-66012X01	SP114-SS316-66012X01	1-1/4x1/8	25	0.3946	1.74	1.13
SP114-SS304-66012X02	SP114-SS316-66012X02	1-1/4x1/4	25	0.4248	1.74	1.13
SP114-SS304-66012X03	SP114-SS316-66012X03	1-1/4x3/8	25	0.4123	1.74	1.13
SP114-SS304-66012X04	SP114-SS316-66012X04	1-1/4 x 1/2	25	0.4140	1.74	1.13
SP114-SS304-66012X06	SP114-SS316-66012X06	1-1/4 x 3/4	25	0.3697	1.74	1.13
SP114-SS304-66012X10	SP114-SS316-66012X10	1-1/4 x 1	25	0.2906	1.74	1.13
SP114-SS304-66014X02	SP114-SS316-66014X02	1-1/2x1/4	25	0.5644	1.96	1.14
SP114-SS304-66014X03	SP114-SS316-66014X03	1-1/2x3/8	25	0.5611	1.96	1.14
SP114-SS304-66014X04	SP114-SS316-66014X04	1-1/2 x 1/2	25	0.5684	1.96	1.14
SP114-SS304-66014X06	SP114-SS316-66014X06	1-1/2 x 3/4	25	0.5269	1.96	1.14
SP114-SS304-66014X10	SP114-SS316-66014X10	1-1/2 x 1	25	0.4674	1.96	1.14
SP114-SS304-66014X12	SP114-SS316-66014X12	1-1/2 x 1-1/4	25	0.2659	1.96	1.14
SP114-SS304-66020X02	SP114-SS316-66020X02	2x1/4	10	0.8818	2.44	1.25
SP114-SS304-66020X03	SP114-SS316-66020X03	2x3/8	10	0.8785	2.44	1.25
SP114-SS304-66020X04	SP114-SS316-66020X04	2 x 1/2	10	0.9215	2.44	1.25
SP114-SS304-66020X06	SP114-SS316-66020X06	2 x 3/4	10	0.9017	2.44	1.25
SP114-SS304-66020X10	SP114-SS316-66020X10	2 x 1	10	0.8774	2.44	1.25

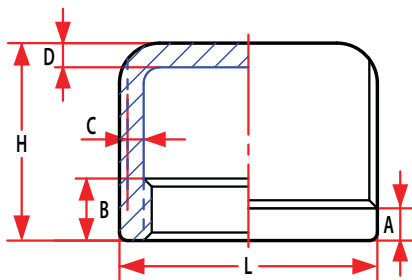


## HEX BUSHINGS (continued)



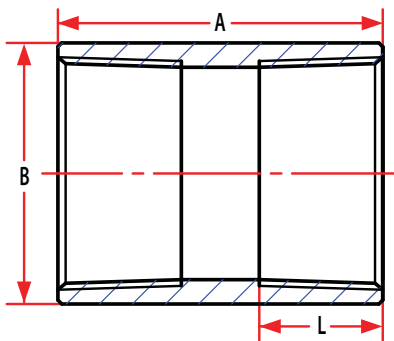
Item ID 304	Item ID 316	Dimension	Pkg Qty	Approx Weight	S	L
SP114-SS304-66020X12	SP114-SS316-66020X12	2 x 1-1/4	10	0.7209	2.44	1.25
SP114-SS304-66020X14	SP114-SS316-66020X14	2 X 1-1/2	10	0.5789	2.44	1.25
SP114-SS304-66024X04	SP114-SS316-66024X04	2-1/2x1/2	5	1.5587	2.94	1.48
SP114-SS304-66024X06	SP114-SS316-66024X06	2-1/2x3/4	5	1.5256	2.94	1.48
SP114-SS304-66024X10	SP114-SS316-66024X10	2-1/2 x 1	5	1.5300	2.94	1.48
SP114-SS304-66024X12	SP114-SS316-66024X12	2-1/2 x 1-1/4	5	1.3933	2.94	1.48
SP114-SS304-66024X14	SP114-SS316-66024X14	2-1/2 x 1-1/2	5	1.2776	2.94	1.48
SP114-SS304-66024X20	SP114-SS316-66024X20	2-1/2 x 2	5	4.0234	2.94	1.48
SP114-SS304-66030X10	SP114-SS316-66030X10	3 x 1	5	2.4714	3.63	1.58
SP114-SS304-66030X12	SP114-SS316-66030X12	3 X 1-1/4	5	2.3325	3.63	1.58
SP114-SS304-66030X14	SP114-SS316-66030X14	3 X 1-1/2	5	2.2289	3.63	1.58
SP114-SS304-66030X20	SP114-SS316-66030X20	3 X 2	5	1.9048	3.63	1.58
SP114-SS304-66030X24	SP114-SS316-66030X24	3 x2-1/2	5	1.9346	3.63	1.58
SP114-SS304-66040X12	SP114-SS316-66040X12	4x1-1/4	1	4.5459	4.59	1.89
SP114-SS304-66040X14	SP114-SS316-66040X14	4x1-1/2	1	4.2417	4.59	1.89
SP114-SS304-66040X20	SP114-SS316-66040X20	4 x 2	1	4.0940	4.59	1.89
SP114-SS304-66040X24	SP114-SS316-66040X24	4 x 2-1/2	1	4.2417	4.59	1.89
SP114-SS304-66040X30	SP114-SS316-66040X30	4 x 3	1	3.2562	4.59	1.89

## ROUND CAPS



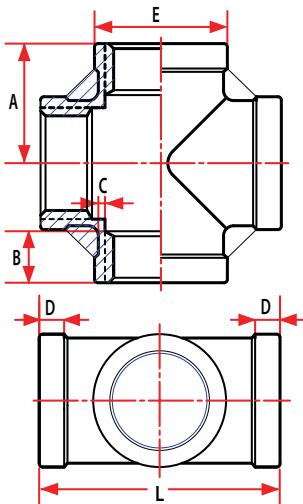
Item ID 304	Item ID 316	Dim	Pkg Qty	Approx Weight	A	B	C	D	H	L
SP114-SS304-63701	SP114-SS316-63701	1/8"	25	0.0463	0.21	0.28	0.10	0.10	0.70	0.76
SP114-SS304-63702	SP114-SS316-63702	1/4"	25	0.0595	0.21	0.35	0.14	0.10	0.70	0.85
SP114-SS304-63703	SP114-SS316-63703	3/8"	25	0.0838	0.22	0.39	0.09	0.11	0.83	1.02
SP114-SS304-63704	SP114-SS316-63704	1/2"	25	0.1433	0.26	0.51	0.10	0.13	0.95	1.21
SP114-SS304-63706	SP114-SS316-63706	3/4"	25	0.2524	0.28	0.59	0.11	0.14	1.08	1.47
SP114-SS304-63710	SP114-SS316-63710	1"	10	0.3616	0.31	0.63	0.13	0.16	1.32	1.78
SP114-SS304-63712	SP114-SS316-63712	1 1/4"	10	0.6096	0.35	0.72	0.14	0.18	1.64	2.16
SP114-SS304-63714	SP114-SS316-63714	1 1/2"	10	0.7628	0.38	0.74	0.15	0.21	1.64	2.45
SP114-SS304-63720	SP114-SS316-63720	2"	10	1.1751	0.43	0.76	0.17	0.24	1.77	2.99
SP114-SS304-63724	SP114-SS316-63724	2 1/2"	1	1.7549	0.50	1.01	0.21	0.27	2.02	3.33
SP114-SS304-63730	SP114-SS316-63730	3"	1	2.7999	0.57	1.08	0.23	0.31	2.27	4.02
SP114-SS304-63740	SP114-SS316-63740	4"	1	4.7179	0.68	1.14	0.25	0.38	2.52	5.09

**FULL COUPLINGS**



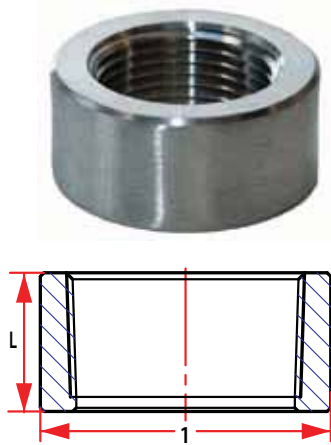
Item ID 304	Item ID 316	Dim	Pkg Qty	Approx Weight	A	B	L
SP114-SS304-64001	SP114-SS316-64001	1/8"	25	0.1091	1.01	0.78	0.38
SP114-SS304-64002	SP114-SS316-64002	1/4"	25	0.1179	1.01	0.87	0.44
SP114-SS304-64003	SP114-SS316-64003	3/8"	25	0.1786	1.14	1.05	0.46
SP114-SS304-64004	SP114-SS316-64004	1/2"	25	0.3020	1.40	1.25	0.53
SP114-SS304-64006	SP114-SS316-64006	3/4"	25	0.4255	1.51	1.49	0.53
SP114-SS304-64010	SP114-SS316-64010	1"	25	0.6482	1.63	1.81	0.67
SP114-SS304-64012	SP114-SS316-64012	1 1/4"	10	1.0450	2.01	2.16	0.69
SP114-SS304-64014	SP114-SS316-64014	1 1/2"	10	1.4903	2.14	2.51	0.81
SP114-SS304-64020	SP114-SS316-64020	2"	5	2.2571	2.52	3.01	0.83
SP114-SS304-64024	SP114-SS316-64024	2 1/2"	1	2.5177	2.89	3.36	1.02
SP114-SS304-64030	SP114-SS316-64030	3"	1	3.6751	3.25	4.02	1.11
SP114-SS304-64040	SP114-SS316-64040	4"	1	5.9635	3.70	5.08	1.16

**CROSSES**



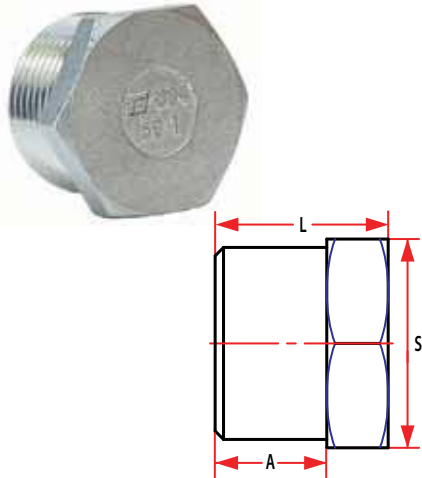
Item ID 304	Item ID 316	Dim	Pkg Qty	Approx Weight	A	B	C	D	E	L
SP114-SS304-63601	SP114-SS316-63601	1/8"	25	0.1742	0.81	0.28	0.12	0.21	0.76	1.62
SP114-SS304-63602	SP114-SS316-63602	1/4"	25	0.2028	0.81	0.35	0.13	0.22	0.85	1.62
SP114-SS304-63603	SP114-SS316-63603	3/8"	25	0.269	0.92	0.39	0.10	0.23	1.02	1.84
SP114-SS304-63604	SP114-SS316-63604	1/2"	25	0.4391	1.09	0.51	0.10	0.28	1.21	2.18
SP114-SS304-63606	SP114-SS316-63606	3/4"	10	0.6791	1.27	0.59	0.12	0.29	1.47	2.54
SP114-SS304-63610	SP114-SS316-63610	1"	10	1.0165	1.46	0.63	0.12	0.31	1.78	2.92
SP114-SS304-63612	SP114-SS316-63612	1 1/4"	5	1.5442	1.71	0.72	0.14	0.35	2.16	3.42
SP114-SS304-63614	SP114-SS316-63614	1 1/2"	5	2.0338	1.87	0.74	0.14	0.39	2.44	3.74
SP114-SS304-63620	SP114-SS316-63620	2"	1	3.0581	2.21	0.76	0.16	0.44	2.98	4.42
SP114-SS304-63624	SP114-SS316-63624	2 1/2"	1	4.6177	2.61	1.01	0.2	0.51	3.35	5.22
SP114-SS304-63630	SP114-SS316-63630	3"	1	6.625	2.98	1.08	0.22	0.56	4.24	5.96
SP114-SS304-63640	SP114-SS316-63640	4"	1	11.35	3.71	1.14	0.25	0.71	5.10	7.42

## HALF COUPLINGS



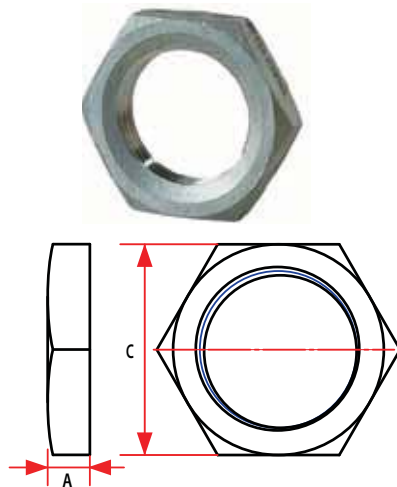
Item ID 304	Item ID 316	Dim	Pkg Qty	Approx Weight	1	L
SP114-SS304-64201	SP114-SS316-64201	1/8"	25	0.0542	0.79	0.51
SP114-SS304-64202	SP114-SS316-64202	1/4"	25	0.0595	0.88	0.52
SP114-SS304-64203	SP114-SS316-64203	3/8"	25	0.0893	1.05	0.57
SP114-SS304-64204	SP114-SS316-64204	1/2"	25	0.1477	1.24	0.71
SP114-SS304-64206	SP114-SS316-64206	3/4"	25	0.2061	1.48	0.76
SP114-SS304-64210	SP114-SS316-64210	1"	25	0.3153	1.81	0.82
SP114-SS304-64212	SP114-SS316-64212	1 1/4"	10	0.5027	2.19	1.01
SP114-SS304-64214	SP114-SS316-64214	1 1/2"	10	0.6636	2.52	1.07
SP114-SS304-64220	SP114-SS316-64220	2"	5	1.0935	3.01	1.26
SP114-SS304-64224	SP114-SS316-64224	2 1/2"	1	3.1901	3.35	1.45
SP114-SS304-64230	SP114-SS316-64230	3"	1	1.7893	4.02	1.61
SP114-SS304-64240	SP114-SS316-64240	4"	1	2.9013	5.07	1.87

## HEX PLUGS



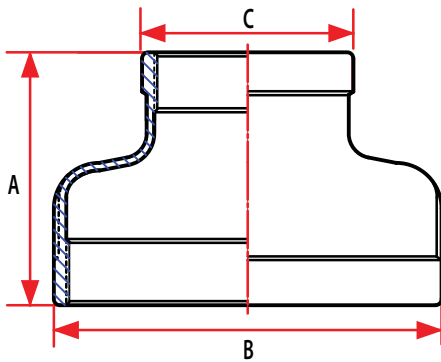
Item ID 304	Item ID 316	Dim	Pkg Qty	Approx Weight	A	L	S
SP114-SS304-67601H	SP114-SS316-67601H	1/8"	25	0.0198	0.38	0.54	0.5
SP114-SS304-67602H	SP114-SS316-67602H	1/4"	25	0.037	0.46	0.61	0.59
SP114-SS304-67603H	SP114-SS316-67603H	3/8"	25	0.0648	0.49	0.67	0.74
SP114-SS304-67004H	SP114-SS316-67004H	1/2"	25	0.0959	0.59	0.79	0.92
SP114-SS304-67006H	SP114-SS316-67006H	3/4"	25	0.1587	0.65	0.9	1.17
SP114-SS304-67010H	SP114-SS316-67010H	1"	25	0.2747	0.77	1.04	1.4
SP114-SS304-67012H	SP114-SS316-67012H	1 1/4"	25	0.4339	0.82	1.11	1.74
SP114-SS304-67014H	SP114-SS316-67014H	1 1/2"	10	0.5847	0.84	1.18	1.98
SP114-SS304-67020H	SP114-SS316-67020H	2"	10	0.9127	0.92	1.29	2.45
SP114-SS304-67024H	SP114-SS316-67024H	2 1/2"	5	1.487	1.11	1.51	2.95
SP114-SS304-67030H	SP114-SS316-67030H	3"	5	2.4207	1.15	1.58	3.83
SP114-SS304-67040H	SP114-SS316-67040H	4"	1	4.0499	1.27	1.81	4.59

## LOCKNUTS



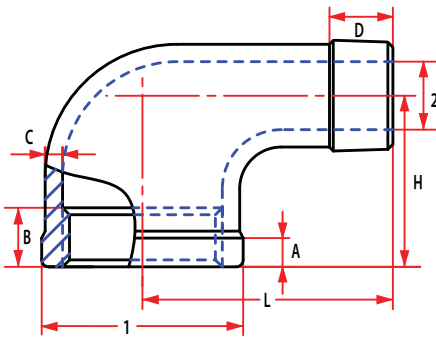
Item ID 304	Item ID 316	Dim	Pkg Qty	Approx Weight	A	C
SP114-SS304-65901	SP114-SS316-65901	1/8"	25	0.0183	0.21	0.71
SP114-SS304-65902	SP114-SS316-65902	1/4"	25	0.0309	0.26	0.86
SP114-SS304-65903	SP114-SS316-65903	3/8"	25	0.0463	0.31	1.02
SP114-SS304-65904	SP114-SS316-65904	1/2"	25	0.0651	0.33	1.33
SP114-SS304-65906	SP114-SS316-65906	3/4"	25	0.0948	0.36	1.44
SP114-SS304-65910	SP114-SS316-65910	1"	25	0.1565	0.38	1.75
SP114-SS304-65912	SP114-SS316-65912	1 1/4"	25	0.2194	0.44	2.12
SP114-SS304-65914	SP114-SS316-65914	1 1/2"	25	0.2888	0.49	2.37
SP114-SS304-65920	SP114-SS316-65920	2"	10	0.4519	0.55	2.91
SP114-SS304-65924	SP114-SS316-65924	2 1/2"	5	1.1552	0.62	3.61
SP114-SS304-65930	SP114-SS316-65930	3"	5	1.7196	0.69	4.66
SP114-SS304-65940	SP114-SS316-65940	4"	1	3.1835	0.83	5.86

**REDUCING COUPLINGS**



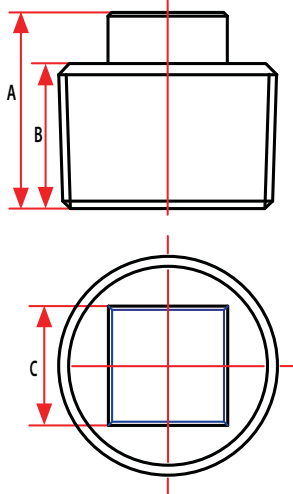
Item ID 304	Item ID 316	Dimension	Pkg Qty	Approx Weight	A	B	C
SP114-SS304-64102X01	SP114-SS316-64102X01	1/4 x 1/8	25	0.0816	1.03	0.85	0.76
SP114-SS304-64103X01	SP114-SS316-64103X01	3/8 x 1/8	25	0.1058	1.14	1.02	0.76
SP114-SS304-64103X02	SP114-SS316-64103X02	3/8 x 1/4	25	0.1124	1.14	1.02	0.85
SP114-SS304-64104X01	SP114-SS316-64104X01	1/2 x 1/8	25	0.1642	1.42	1.22	0.76
SP114-SS304-64104X02	SP114-SS316-64104X02	1/2 x 1/4	25	0.1687	1.42	1.22	0.85
SP114-SS304-64104X03	SP114-SS316-64104X03	1/2 x 3/8	25	0.1819	1.42	1.22	1.02
SP114-SS304-64106X01	SP114-SS316-64106X01	3/4 x 1/8	25	0.2249	1.54	1.48	0.76
SP114-SS304-64106X02	SP114-SS316-64106X02	3/4 x 1/4	25	0.2341	1.54	1.48	0.85
SP114-SS304-64106X03	SP114-SS316-64106X03	3/4 x 3/8	25	0.2359	1.54	1.48	1.02
SP114-SS304-64106X04	SP114-SS316-64106X04	3/4 x 1/2	25	0.2685	1.54	1.48	1.22
SP114-SS304-64110X01	SP114-SS316-64110X01	1 x 1/8	25	0.3307	1.66	1.79	0.76
SP114-SS304-64110X02	SP114-SS316-64110X02	1 x 1/4	25	0.3351	1.66	1.79	0.85
SP114-SS304-64110X03	SP114-SS316-64110X03	1 x 3/8	25	0.3505	1.66	1.79	1.02
SP114-SS304-64110X04	SP114-SS316-64110X04	1 x 1/2	25	0.3693	1.66	1.79	1.22
SP114-SS304-64110X06	SP114-SS316-64110X06	1 x 3/4	25	0.4101	1.66	1.79	1.48
SP114-SS304-64112X03	SP114-SS316-64112X03	1-1/4 x 3/8	10	0.5622	2.03	2.18	1.02
SP114-SS304-64112X04	SP114-SS316-64112X04	1-1/4 x 1/2	10	0.5842	2.03	2.18	1.22
SP114-SS304-64112X06	SP114-SS316-64112X06	1-1/4 x 3/4	10	0.6107	2.03	2.18	1.48
SP114-SS304-64112X10	SP114-SS316-64112X10	1-1/4 x 1	10	0.6614	2.03	2.18	1.79
SP114-SS304-64114X03	SP114-SS316-64114X03	1-1/2 x 3/8	10	0.7187	2.03	2.45	1.02
SP114-SS304-64114X04	SP114-SS316-64114X04	1-1/2 x 1/2	10	0.7496	2.03	2.45	1.22
SP114-SS304-64114X06	SP114-SS316-64114X06	1-1/2 x 3/4	10	0.8267	2.03	2.45	1.48
SP114-SS304-64114X10	SP114-SS316-64114X10	1-1/2 x 1	10	1.6557	2.03	2.45	1.79
SP114-SS304-64114X12	SP114-SS316-64114X12	1-1/2 x 1-1/4	10	0.8995	2.52	2.45	2.18
SP114-SS304-64120X04	SP114-SS316-64120X04	2 x 1/2	5	1.1442	2.52	2.99	1.22
SP114-SS304-64120X06	SP114-SS316-64120X06	2 x 3/4	5	1.1565	2.52	2.99	1.48
SP114-SS304-64120X10	SP114-SS316-64120X10	2 x 1	5	1.2866	2.52	2.99	1.79
SP114-SS304-64120X12	SP114-SS316-64120X12	2 x 1-1/4	5	1.2875	2.52	2.99	2.18
SP114-SS304-64120X14	SP114-SS316-64120X14	2 x 1-1/2	5	1.3713	2.52	2.99	2.45
SP114-SS304-64124X10	SP114-SS316-64124X10	2-1/2 x 1	1	1.8629	3.27	3.39	1.79
SP114-SS304-64124X12	SP114-SS316-64124X12	2-1/2 x 1-1/4	1	1.9842	3.27	3.39	2.18
SP114-SS304-64124X14	SP114-SS316-64124X14	2-1/2 x 1-1/2	1	2.0309	3.27	3.39	2.45
SP114-SS304-64124X20	SP114-SS316-64124X20	2-1/2 x 2	1	2.1462	3.27	3.39	2.99
SP114-SS304-64130X10	SP114-SS316-64130X10	3 x 1	1	2.7756	3.72	4.06	1.79
SP114-SS304-64130X12	SP114-SS316-64130X12	3 x 1-1/4	1	2.8594	3.72	4.06	2.18
SP114-SS304-64130X14	SP114-SS316-64130X14	3 x 1-1/2	1	2.9895	3.72	4.06	2.45
SP114-SS304-64130X20	SP114-SS316-64130X20	3 x 2	1	3.114	3.72	4.06	2.99
SP114-SS304-64130X24	SP114-SS316-64130X24	3 x 2-1/2	1	2.9917	3.72	4.06	3.35
SP114-SS304-64140X20	SP114-SS316-64140X20	4 x 2	1	5.0486	4.39	5.11	2.99
SP114-SS304-64140X24	SP114-SS316-64140X24	4 x 2-1/2	1	5.1324	4.39	5.11	3.39
SP114-SS304-64140X30	SP114-SS316-64140X30	4 x 3	1	5.3793	4.39	5.11	4.06

**ELBOWS - 90° STREET**



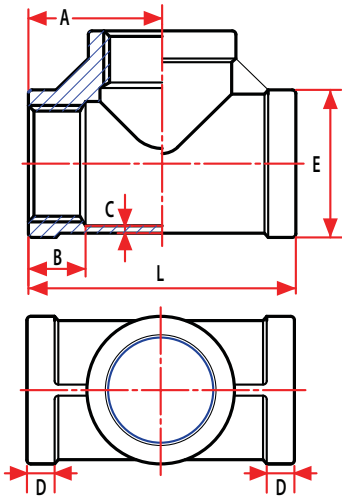
Item ID 304	Item ID 316	Dim	Pkg Qty	Approx Weight	A	B	C	D	H	L	1	2
SP114-SS304-60201	SP114-SS316-60201	1/8"	25	0.0717	0.22	0.25	0.12	0.29	0.81	1.07	0.77	0.2
SP114-SS304-60202	SP114-SS316-60202	1/4"	25	0.0948	0.22	0.35	0.12	0.41	0.81	1.21	0.89	0.24
SP114-SS304-60203	SP114-SS316-60203	3/8"	25	0.1488	0.24	0.36	0.10	0.43	0.94	1.45	1.02	0.35
SP114-SS304-60204	SP114-SS316-60204	1/2"	25	0.2282	0.26	0.46	0.10	0.55	1.12	1.62	1.21	0.5
SP114-SS304-60206	SP114-SS316-60206	3/4"	25	0.3726	0.31	0.54	0.11	0.58	1.31	1.90	1.48	0.67
SP114-SS304-60210	SP114-SS316-60210	1"	10	0.5952	0.31	0.63	0.12	0.70	1.45	2.08	1.78	0.9
SP114-SS304-60212	SP114-SS316-60212	1 1/4"	10	0.9778	0.35	0.71	0.13	0.73	1.71	2.50	2.16	1.16
SP114-SS304-60214	SP114-SS316-60214	1 1/2"	5	1.2767	0.41	0.77	0.15	0.76	1.99	2.70	2.44	1.37
SP114-SS304-60220	SP114-SS316-60220	2"	5	2.0988	0.46	0.79	0.16	0.83	2.25	3.17	2.97	1.75
SP114-SS304-60224	SP114-SS316-60224	2 1/2"	1	3.5649	0.56	1.01	0.2	1.16	2.58	3.87	3.36	2.19
SP114-SS304-60230	SP114-SS316-60230	3"	1	5.4564	0.66	1.11	0.22	1.24	2.99	4.54	4.08	2.74
SP114-SS304-60240	SP114-SS316-60240	4"	1	9.4909	0.77	1.13	0.25	1.55	3.81	5.70	5.12	3.67

**SQUARE HEAD PLUGS**



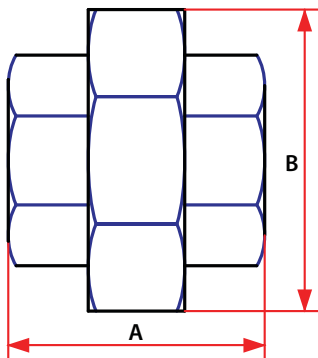
Item ID 304	Item ID 316	Dim	Pkg Qty	Approx Weight	A	B	C
SP114-SS304-67601	SP114-SS316-67601	1/8"	25	0.0165	0.64	0.39	0.29
SP114-SS304-67602	SP114-SS316-67602	1/4"	25	0.0342	0.75	0.46	0.38
SP114-SS304-67603	SP114-SS316-67603	3/8"	25	0.0575	0.81	0.49	0.43
SP114-SS304-67004	SP114-SS316-67004	1/2"	25	0.0937	0.98	0.58	0.56
SP114-SS304-67006	SP114-SS316-67006	3/4"	25	0.1373	1.11	0.64	0.63
SP114-SS304-67010	SP114-SS316-67010	1"	25	0.2441	1.28	0.76	0.80
SP114-SS304-67012	SP114-SS316-67012	1 1/4"	25	0.4343	1.38	0.82	1.00
SP114-SS304-67014	SP114-SS316-67014	1 1/2"	10	0.5335	1.48	0.85	1.11
SP114-SS304-67020	SP114-SS316-67020	2"	10	0.8135	1.61	0.91	1.31
SP114-SS304-67024	SP114-SS316-67024	2 1/2"	5	1.3361	1.84	1.09	1.5
SP114-SS304-67030	SP114-SS316-67030	3"	5	1.9224	1.97	1.16	1.67
SP114-SS304-67040	SP114-SS316-67040	4"	1	3.5459	2.26	1.26	2.21

## TEES



Item ID 304	Item ID 316	Dim	Pkg Qty	Approx Weight	A	B	C	D	E	L
SP114-SS304-62001	SP114-SS316-62001	1/8"	25	0.1361	0.81	0.27	0.12	0.21	0.76	1.61
SP114-SS304-62002	SP114-SS316-62002	1/4"	25	0.1631	0.81	0.38	0.14	0.21	0.85	1.62
SP114-SS304-62003	SP114-SS316-62003	3/8"	25	0.2151	0.94	0.38	0.10	0.22	1.05	1.88
SP114-SS304-62004	SP114-SS316-62004	1/2"	25	0.3506	1.10	0.53	0.10	0.26	1.21	2.2
SP114-SS304-62006	SP114-SS316-62006	3/4"	25	0.5445	1.27	0.53	0.11	0.31	1.47	2.54
SP114-SS304-62010	SP114-SS316-62010	1"	10	0.8311	1.47	0.65	0.12	0.32	1.77	2.94
SP114-SS304-62012	SP114-SS316-62012	1 1/4"	5	1.334	1.72	0.69	0.14	0.38	2.15	3.44
SP114-SS304-62014	SP114-SS316-62014	1 1/2"	5	1.6943	1.88	0.72	0.15	0.38	2.44	3.76
SP114-SS304-62020	SP114-SS316-62020	2"	3	2.6235	2.22	0.79	0.16	0.45	2.96	4.44
SP114-SS304-62024	SP114-SS316-62024	2 1/2"	1	3.9573	2.63	0.96	0.2	0.52	3.34	5.26
SP114-SS304-62030	SP114-SS316-62030	3"	1	5.7563	2.99	1.05	0.22	0.57	4.05	5.98
SP114-SS304-62040	SP114-SS316-62040	4"	1	10.136	3.73	1.14	0.26	0.69	5.10	7.46

## UNIONS



Item ID 304	Item ID 316	Dim	Pkg Qty	Approx Weight	A	B
SP114-SS304-69001	SP114-SS316-69001	1/8"	25	0.1742	1.28	1.17
SP114-SS304-69002	SP114-SS316-69002	1/4"	25	0.2388	1.46	1.31
SP114-SS304-69003	SP114-SS316-69003	3/8"	25	0.3858	1.63	1.52
SP114-SS304-69004	SP114-SS316-69004	1/2"	25	0.4453	1.76	1.67
SP114-SS304-69006	SP114-SS316-69006	3/4"	10	0.6607	1.97	1.99
SP114-SS304-69010	SP114-SS316-69010	1"	5	0.9138	2.09	2.30
SP114-SS304-69012	SP114-SS316-69012	1 1/4"	5	1.2743	2.29	2.71
SP114-SS304-69014	SP114-SS316-69014	1 1/2"	1	1.6821	2.45	3.05
SP114-SS304-69020	SP114-SS316-69020	2"	1	2.3556	2.76	3.58
SP114-SS304-69024	SP114-SS316-69024	2 1/2"	1	4.3718	3.23	4.33
SP114-SS304-69030	SP114-SS316-69030	3"	1	5.5909	3.52	4.98
SP114-SS304-69040	SP114-SS316-69040	4"	1	8.9618	3.95	6.22

TRENTON fabricates Pipe and Tube to customer's special requirements in Brass, Copper, Aluminum, Stainless Steel, Carbon Steel, wall thicknesses up to Schedule 80.

Typical operations include one or more of the following:

THREADING = various THREAD FORMS including NPT, NPSL, NPSM, NPTF, SHORT (Hospital) THREADS, BPS, BSPT (Metric), UN, UNS, etc.

BENDING = tight radius, tolerances to +/- 1 degree, mandrill supported thin wall bending, heavy wall bending—can bend schedule 80, 316 Stainless Steel and heavier

MACHINING = precision machine shop operations, such as milling, grinding, boring, shaping

TAPPING = various thread forms—see above under threading

BROACHING and SWAGING (expanding and reducing)

SOLDERING and BRAZING

CUTTING = saw cutting or roller cutting

END SPINNING = end closed as a 'test-tube' end = diameter to 1/2"- brass and copper only

CUSTOM FINISHES = polished, chrome, nickel (polished or brushed)

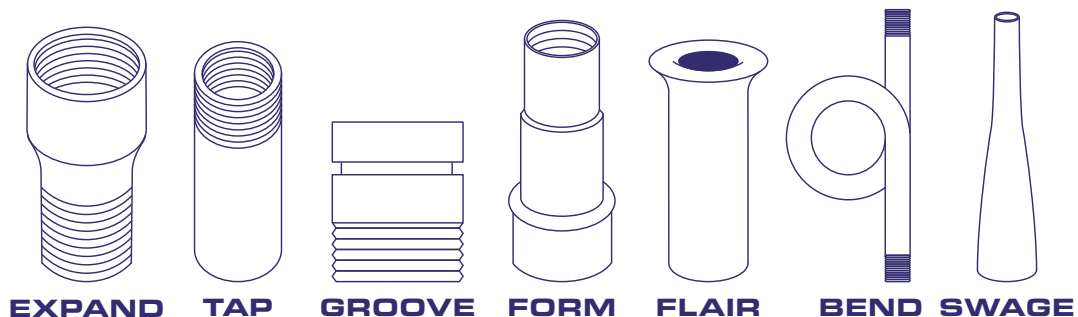
END FORMING / FLARING

DRILLING

GROOVING = standard Victaulic groove or custom



TRENTON CAN DO (ALMOST) ANYTHING TO A PIECE OF PIPE  
IN (ALMOST) ANY COMBINATION YOU NEED



**STANDARD TERMS AND CONDITIONS OF SALE**

**1. MINIMUMS AND CHARGES:** Minimum invoice amount is \$100.00, excluding shipping charges. All parcel post, UPS and equivalent orders are subject to a \$2.00 per package handling charge. All drop shipments (orders billed to buyer, but delivered to another party) are subject to a \$2.00 per order handling charge.

**2. DELIVERY AND FREIGHT TERMS:** Unless otherwise specifically agreed in writing, all sales are F.O.B., Seller's plant in Federalsburg, Maryland. Seller will prepay and allow full freight on any one shipment lot of products (except pipe and special fabrication items) with a net invoice value of greater than \$1,500 shipped to any one destination within the continental United States (i.e. Alaska and Hawaii excluded). In cases where seller does not allow freight, it will be shipped prepaid and cost of freight added to the invoice, unless Buyer specifically instructs otherwise in writing.

**3. ACCEPTANCE AND PRICING:** All orders are subject to acceptance by Seller and are accepted subject to strikes, accidents, delays caused by suppliers and other causes beyond Seller's reasonable control. Prices quoted are subject to change without notice, unless otherwise expressly stated in writing by Seller. All prices are in U.S. funds.

**4. PAYMENT AND CREDIT:** Payment terms are 1% 10 days, Net 30 days. Days are calculated from date of invoice to date monies are received. Invoicing will be no earlier than the date of shipment. If full payment is not received by Seller within thirty (30) days after the date of invoice, interest shall be due and payable on any unpaid balance at the rate published in the Wall Street Journal as the Prime Rate of interest charged by major banks in New York, plus five (5%) percentage points per annum, with a minimum charge of \$10.00 special handling charge. Interest will accrue daily. In the event this rate of interest exceeds the applicable highest legal rate of interest, Buyer will be charged the highest legal rate of interest. If, at any time, in the sole judgment of Seller, the financial condition or creditworthiness of Buyer is or becomes impaired, Seller may change the terms of payment and/or require payment as a condition of shipment, regardless of the terms under which the order was accepted.

**5. DAMAGE, LOSS, SHORTAGE:** Claims for shortage must be made in writing immediately upon receipt of material. Claims for damage or loss in transit must be made directly to the carrier. All sales are F.O.B. factory; even in cases where freight is prepaid and allowed.

**6. COMPLIANCE:** If compliance to a specific standard or specification is desired, it must be clearly noted in writing on any inquiry, order or contract.

**7. WARRANTIES:** Seller expressly warrants that (a) all products manufactured by it will be in accordance with Seller's published specifications, if any, for the product and (b) title will be good and marketable, free of liens and security interests. Any product which is returned to Seller within one year of date of purchase and upon inspection by Seller is found to be not in accordance with these specifications or otherwise defective will be replaced with conforming product. **NO MERCHANDISE MAY BE RETURNED WITHOUT SELLER'S WRITTEN RETURN AUTHORIZATION.** Buyer's sole remedy shall be the replacement of material as stated. **SELLER DISCLAIMS ANY AND ALL IMPLIED WARRANTIES, INCLUDING ALL WARRANTIES OF MERCHANTABILITY AND FITNESS FOR ANY PURPOSE,** even if such purpose has been disclosed to Seller.

**8. LIMITATION OF LIABILITY:** Buyer's exclusive remedy and Seller's exclusive liability under this contract or otherwise growing out of any transaction between the parties (including for negligence) shall be the replacement of the product which fails to meet the applicable specifications. **IN NO EVENT SHALL SELLER BE LIABLE TO BUYER FOR INCIDENTAL, CONSEQUENTIAL OR INDIRECT DAMAGES OF ANY KIND ARISING FROM OR IN CONNECTION WITH THIS CONTRACT OR ANY PRODUCT SOLD BY SELLER TO BUYER.**

**9. APPLICABLE LAW AND FORUM:** This agreement and all sales between Seller and Buyer shall be governed by and construed under the statutory and common laws of the State of Maryland, but without regard to its choice of law rules. All actions between Seller and Buyer may be brought only in the Courts of the State of Maryland, and each party submits to the jurisdiction of said court.

© TRENTON PIPE NIPPLE COMPANY, LLC 2008. All Rights Reserved.





